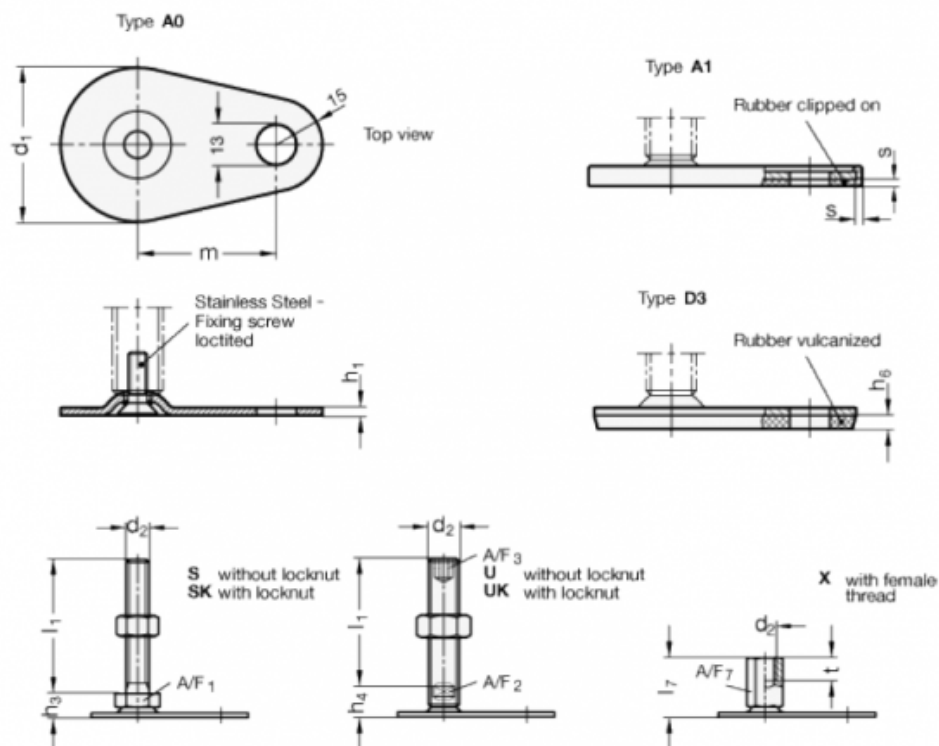


# Data Sheet



Article number: 204280M1050D3SK  
 Description: E+G levelling foot  
 GN 42-80-M10-50-D3-SK  
 Note: SK With nut, External hexagon at the bottom

## Measures



A/F1 = 17  
 $d_1$  = 80  
 $d_2$  = M10  
 $h_1$  = 3  
 $h_3$  = 12  
 $h_6$  = 5  
 $l_1$  = 50  
 $m$  = 70

s =